

# 19a Passenger vessel "GALÚ" - Design

PROJECTS / Conversions



- Advice for purchase and transportation to Ecuador
- Conversion Design - Survey
- Contract and Purchase Engineering
- Direction of Works
- Conversion Design – Survey

*For direction of works, see Technical Buletin # 19b.*

This superyacht, of an exquisite Italian design by *Fratelli Benetti*, was designed for converting into a luxury passenger vessel to operate in the Galápagos Islands. The design included new deck (see below) and four ocean view cabins. This required the complete redesign of the forward end. The internal arrangement attends al present safety regulations and offers a great functionality, both for passengers and crew. The works started in Guayaquil, but they are on hold due to the COVID19.



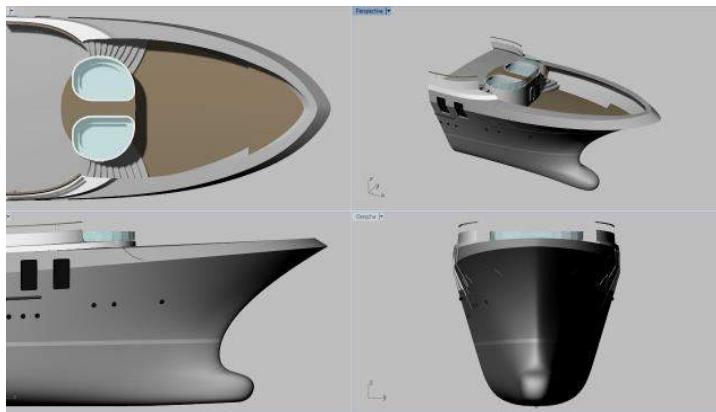
Vessel in Genoa, prior to purchase, and Redesign rendered.

Length o.a.:	52,90 m
Beam:	9,42 m
Depth to main deck:	4,75 m
Design draught:	3,19 m
Passengers:	up to 18 in 10 cabins
Crew:	Captain + 19/21
Service Speed:	16 knots
Propulsion Power:	2x1600 HP (2 x 1193 kW)
Electric Power:	3 x 125 kW Kohler/John Deer



The two top decks are in aluminium.

The structural analysis was made by means of a FEM model.



**Investigation of the Fore shape**

Different encounters of the bulwark with the accommodation side plating and the Jacuzzis were evaluated.

**Evaluation of the "Al Fresco" restaurant area.**

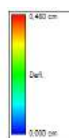
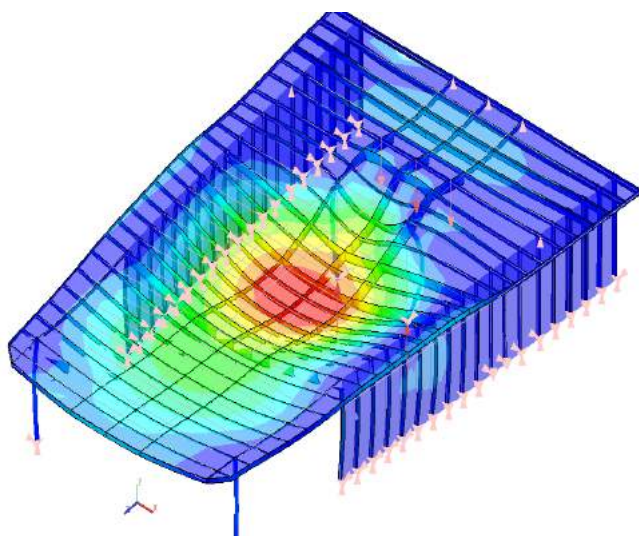
The framing of the Teak deck was adjusted to the new arrangement.



B

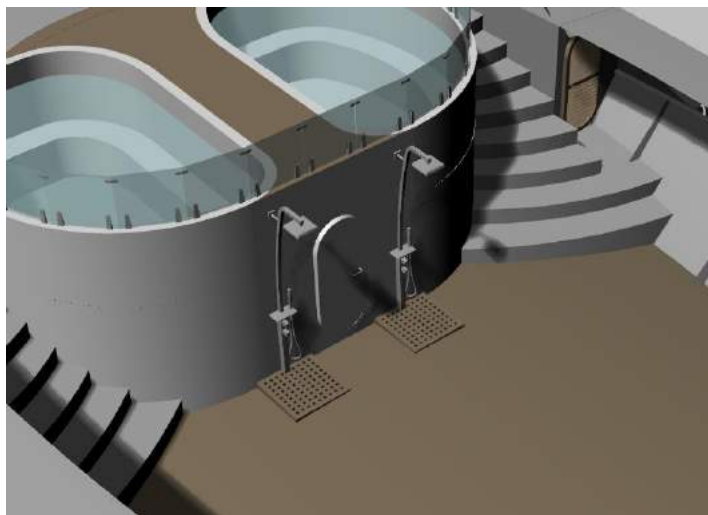
**oats Deck deformed under crane load**

Finite Elements Modelling.



**Analysis of the Jacuzzis**

In this area, where the bulwark integrates to the side plating, we work to get the best views from the Jacuzzis. The design of the stairways was a challenge that succeeded in integrating locker, drying areas, evacuation corridor, etc. everything in accordance with the general aesthetics of the vessel.



**Forecastle and forward accommodation**

The bulwark was raised. Different encounters of the fore castle with the accommodation side plating were evaluated. The ocean view cabins and the and the Jacuzzis were located here.

